

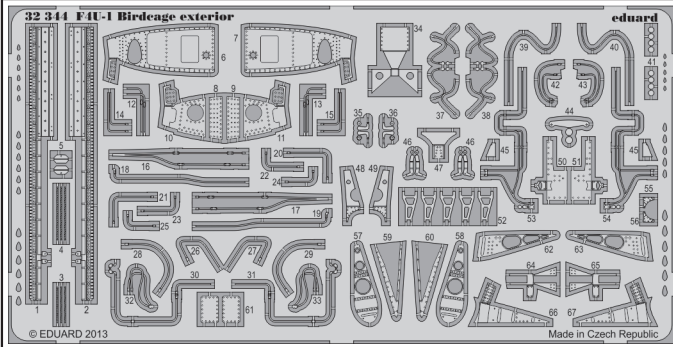


F4U-1 Birdcage exterior

eduard

32 344

1/32 scale detail set for Tamiya kit • sada detailů pro model 1/32 Tamiya



- APPLY EXPRESS MASK AND PAINT BEFORE GLUING
POUŽIT EXPRESS MASK NABARVIT PŘED SLEPENÍM
- SYMMETRICAL ASSEMBLY
SYMETRICKÁ MONTÁŽ
- REMOVE
ODSTRANIT
- GRIND
OBROUSIT
- DRILL HOLE
VRTÁT OTVOR
- COLORED ETCHED PARTS
LEPTANÉ BAREVNÉ DÍLY
- BEND
OHNOUT
- OPTION
VOLBA
- REPLACE
NAHRADIT

ORIGINAL KIT PARTS
PŮVODNÍ DÍLY STAVEBNICE

PHOTO-ETCHED PARTS
LEPTANÉ DÍLY

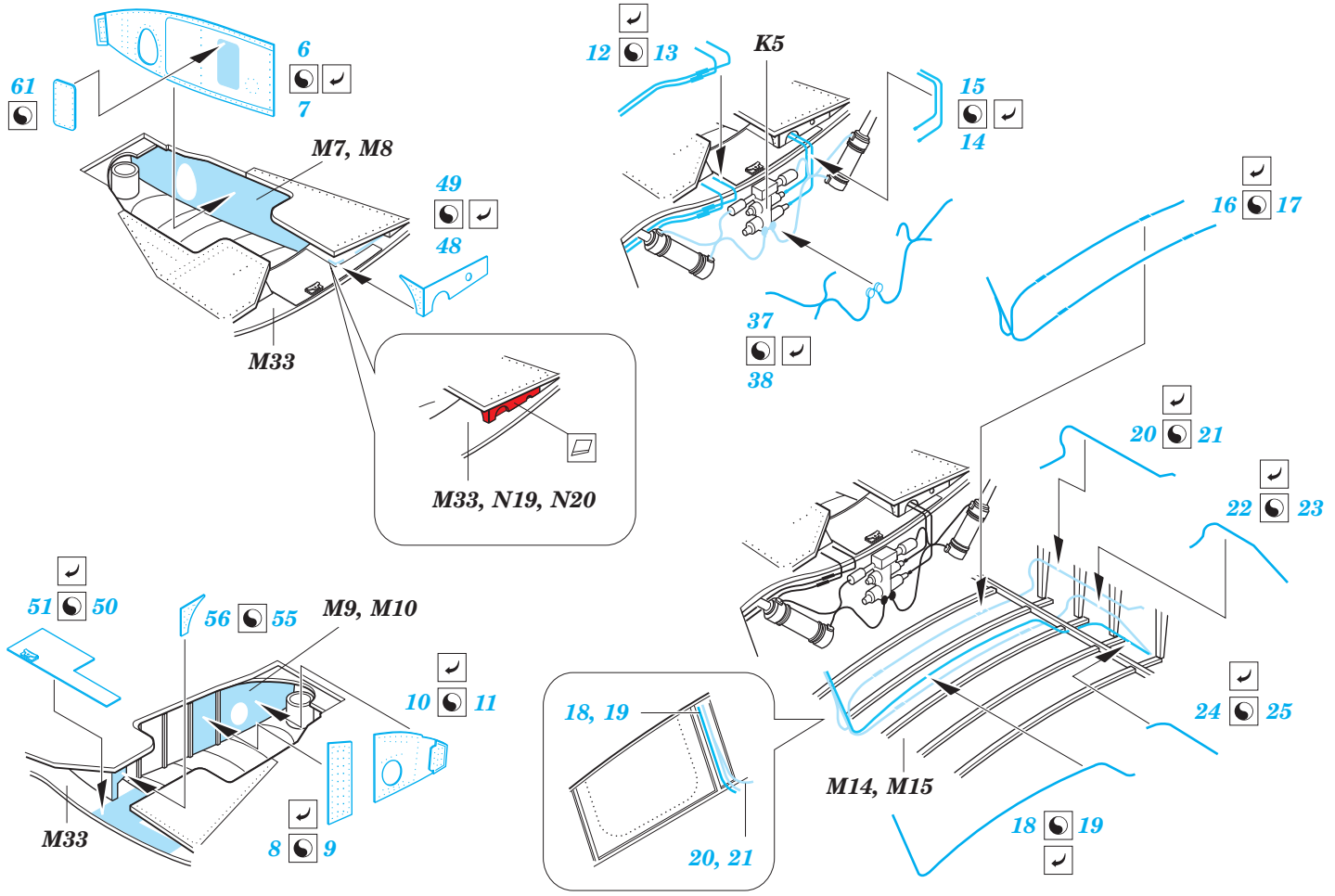
PARTS TO BE REMOVED
DÍLY K ODSTRANĚNÍ

FILL
TMELIT

The main assembly diagrams illustrate the following steps:

- Part 44:** Installation on the fuselage.
- Part 34:** Installation on the fuselage.
- Part 41:** Installation on the fuselage.
- Part 5:** Installation on the fuselage.
- Part 47:** Installation on the fuselage.
- Part F1:** Installation on the fuselage.
- Part F6:** Installation on the fuselage.
- Part F4:** Installation on the fuselage.
- Part 46:** Installation on the fuselage.
- Part F22, F24:** Installation on the fuselage.
- Part 52:** Installation on the fuselage.
- Part F40:** Installation on the fuselage.
- Part K7:** Installation on the fuselage.
- Part C18, C19:** Installation on the fuselage.
- Part 62, 63:** Installation on the fuselage.
- Part C17, C16, C12, C11:** Installation on the fuselage.
- Part C32, C34:** Installation on the fuselage.
- Part 67, 66:** Installation on the fuselage.
- Part C30, C31, C33, C35:** Installation on the fuselage.
- Part C20, C21:** Installation on the fuselage.
- Part 57, 58:** Installation on the fuselage.
- Part 45:** Installation on the fuselage.
- Part 60, 59:** Installation on the fuselage.
- Part C10, C9:** Installation on the fuselage.
- Part C3, C4:** Installation on the fuselage.
- Part 64, 65:** Installation on the fuselage.
- Part B9, B2:** Installation on the fuselage.
- Part E14, E15:** Installation on the fuselage.
- Part 2, 1:** Installation on the fuselage.
- Part 35, 36:** Installation on the fuselage.

step 1 **step 2** **step 3**



Folded wing

