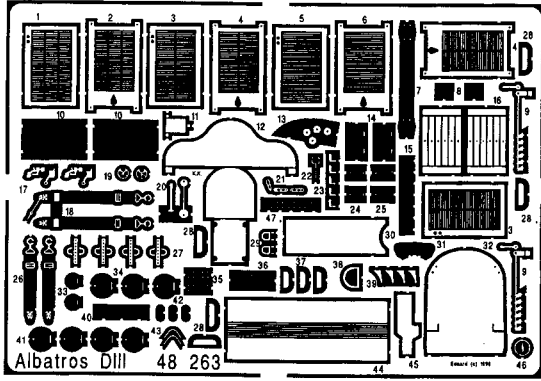




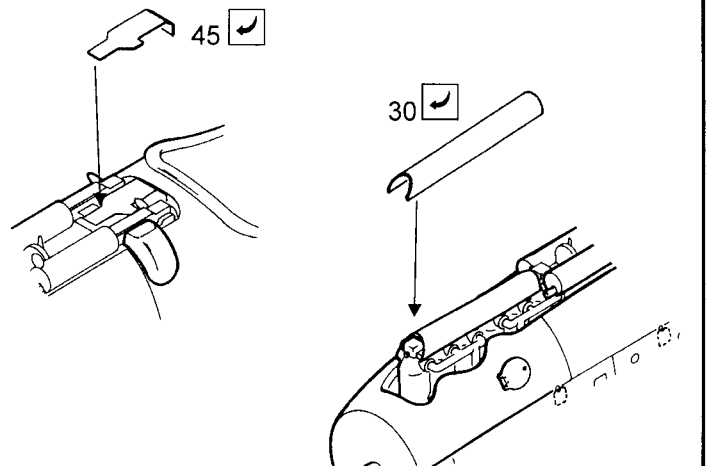
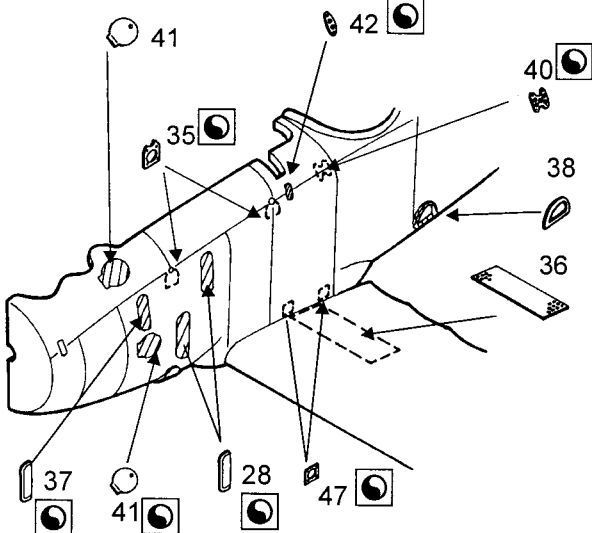
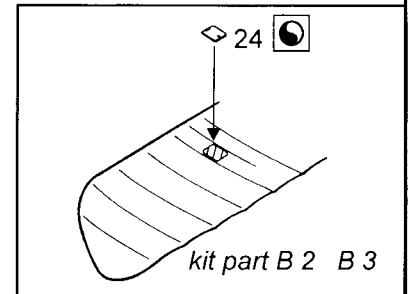
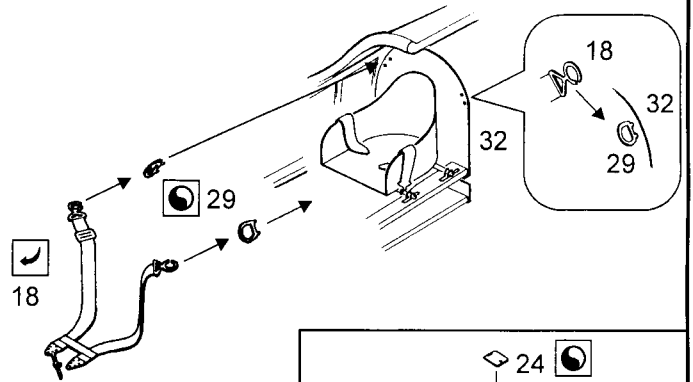
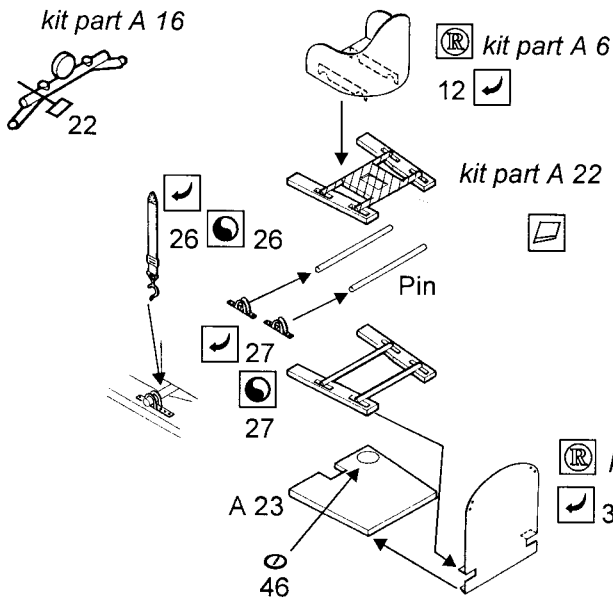
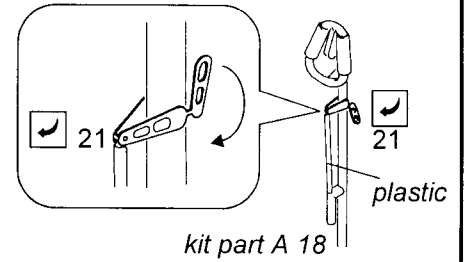
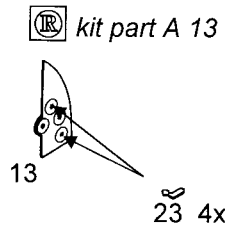
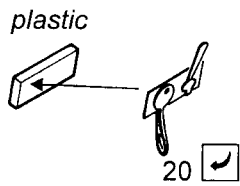
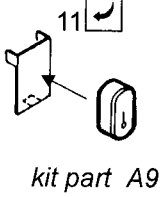
ALBATROS D.III

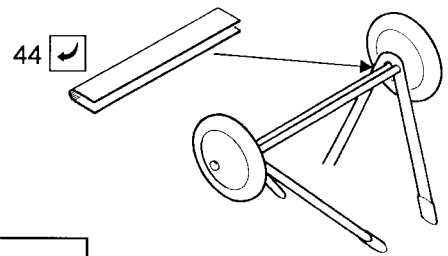
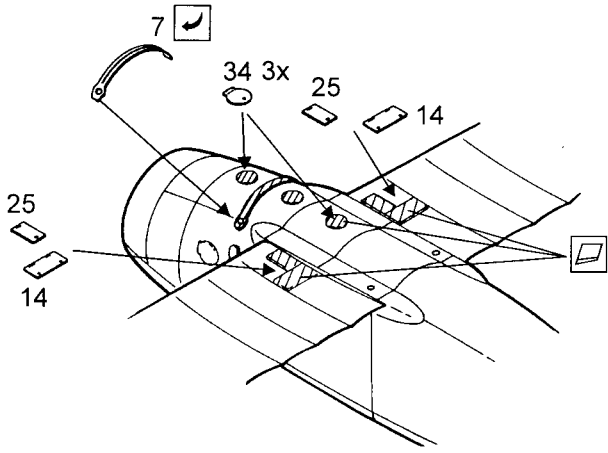
1/48 scale detail set for EDUARD kit


48 263

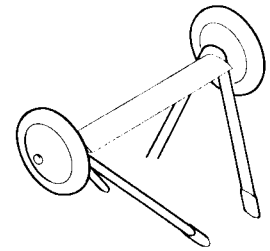
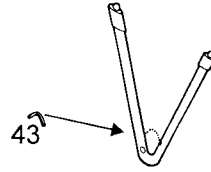


- OPPOSITE SIDE
- REMOVE
- BEND
- REPLACE
- GRIND
- OPTION





kit part A 25  A26



?

Conversion option

