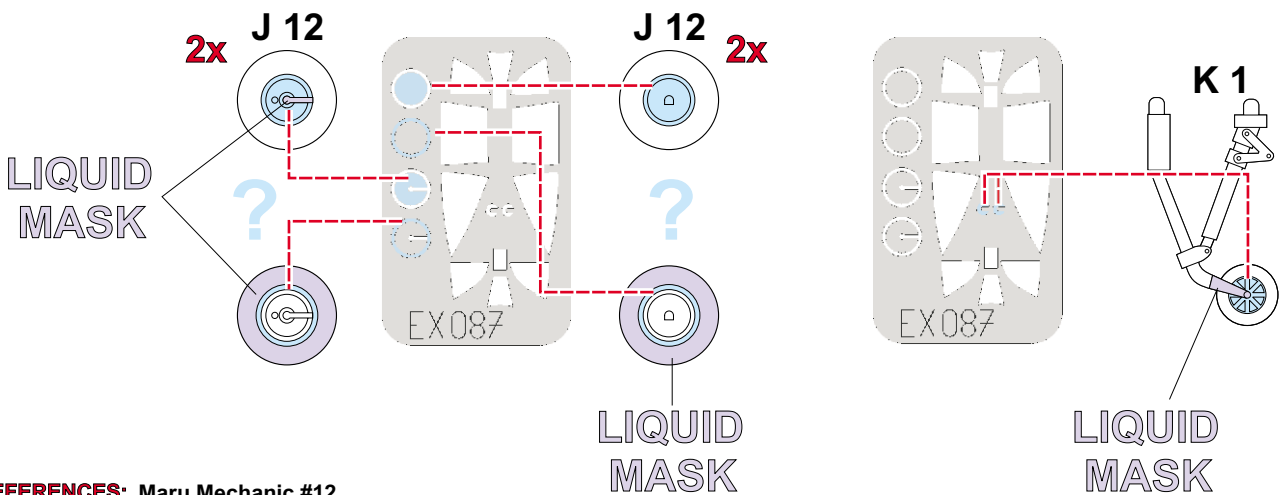
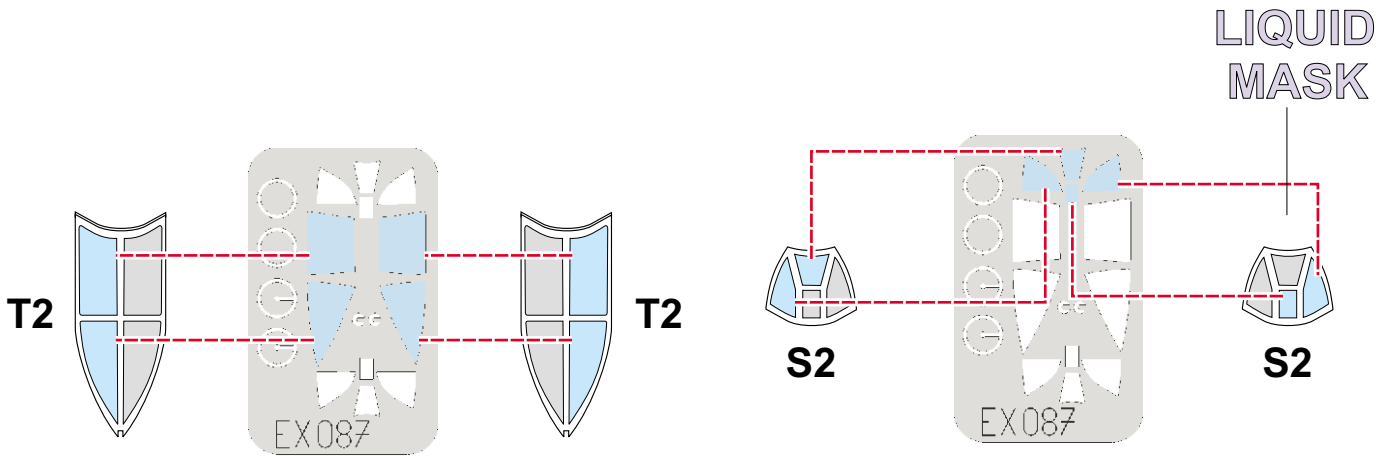
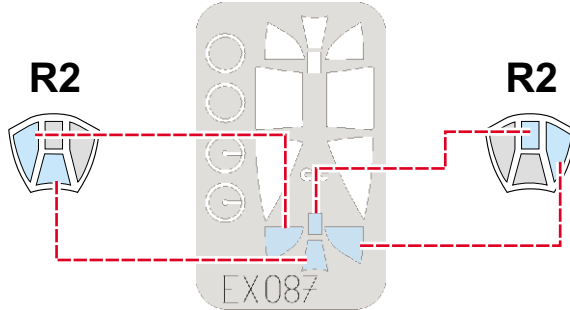
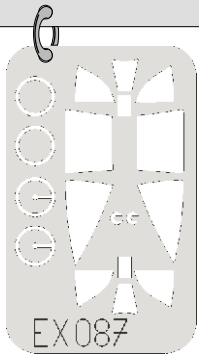


eduard
MASK

Ki-44 Tojo 1/48

The die-cut mask for accurate canopy frame painting of the
Hasegawa scale 1/48 KIT

EX 087



REFERENCES: Maru Mechanic #12
FAOW #16: Army Type 2 Fighter Shoki (Tojo)